



HULME MARTIN HEAT SEALERS

HULME MARTIN HEAT SEALERS

www.hulmemartin.co.uk

Hulme Martin Heat Sealers Ltd
Unit 5B, Country Business Centre
White Cottage Farm
Lucas Green Road, West End
Woking, Surrey
GU24 9LZ
Tel: 01483 476767
Fax : 01483 486343
Email: info@hulmemartin.co.uk

HMS66 Sack Sealer



Ideal for Sealing:

- Compost
- Ballast
- Coal
- Chemicals
- Manure
- Resin's
- Sawdust

(Heavy Duty, Semi-Automatic Sack Sealer) – Part No. S6602052

Maximum Sealing Length	650mm (26") / 900mm (36") / 1200mm (47")*
Maximum Sealing Time	4-10 Seconds
Seal Width	6mm (Wide Seal), 8mm or 12mm (Special)
Material Thickness (for weld)	1000µm – 4000g (Approx.)
Voltage	240V (50 Hz, single phase), 110V (Conversion)
Power Consumption (Watts)	Weld 1730W, Cool – 250W, Standby – 25W
Fuse Rating	10 Amp
Footprint	410mm (L) x 550mm (W) x 200mm (H) – 100mm (Throat)
Weight	26 - 52 Kg (Approx.)
Operation	Foot Operated (via a Pad Switch), Remote Control Operated (for hostile environments)
Mounting	Bench Mounted, Tripod Stand
Options	8mm or 12mm (Special Seal Width), Foot Switch activated (Shrouded Pedal option), Adjustable Height (Optional Sack Support), Pneumatic Operation Stand
Finishing	Powder Coated Mild Steel or Stainless Steel

**IMPULSE • CONSTANT HEAT SEALERS • VACUUM SEALERS • SHRINK CHAMBERS
SACK SEALERS • BESPOKE SOLUTIONS • SEMI-AUTOMATIC MACHINES • SECURITY SEALERS**
Registered office: Unit 5B Country Business Centre, White Cottage Farm, Lucas Green Road, West End, Woking, Surrey, GU24 9LZ
Registered in England No. 5484051 VAT No. GB 864 4792 82



HULME MARTIN HEAT SEALERS

HULME MARTIN HEAT SEALERS

www.hulmemartin.co.uk

Hulme Martin Heat Sealers Ltd
Unit 5B, Country Business Centre
White Cottage Farm
Lucas Green Road, West End
Woking, Surrey
GU24 9LZ
Tel: 01483 476767
Fax : 01483 486343
Email: info@hulmemartin.co.uk

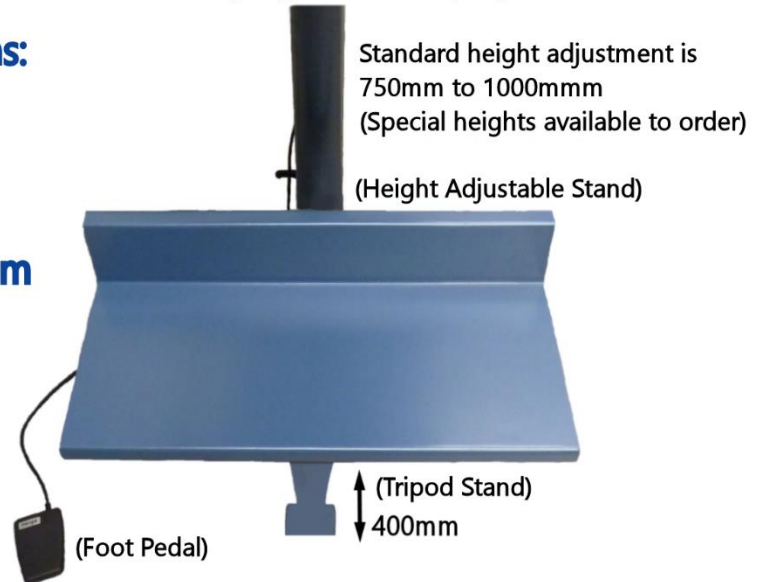
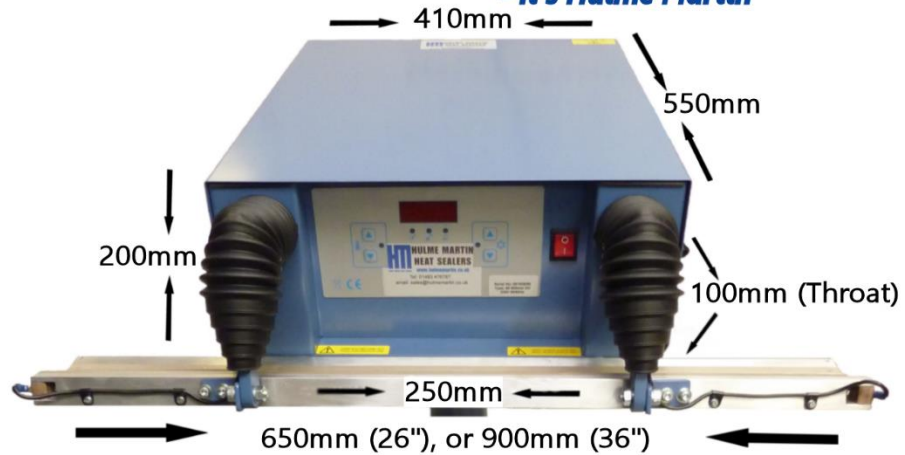
HMS66 Sack Sealer

The HMS 66 free standing Sack Sealer* is designed for sealing bags when the product is best sealed standing upright. Typically this lends itself to the bag sealing of bulk product such as aggregates, prepared foods & chemicals.

This industrial quality bag sealer comes in a range of formats to suit your product, working environment & bag type.

**General dimensions:
(Approx)
26" = 50kg
36" = 52kg
Element Width 6mm**

**"When dependability is paramount
- It's Hulme Martin"**



(Heavy Duty, Semi-Automatic Sack Sealer) – Part No. S6602052

Foot Switch initiated & with Solenoid Jaw operation, allows the operator to be preparing the next bag, whilst one is being sealed!

For more hostile & food environments, Stainless Steel machines (up to IP65 rating) can be built. Constant heat jaws for heavy weight foil & multi-wall paper bags are also available.

For applications where seal quality is paramount, such as hygroscopic compounds, a PLC controller can be fitted.

All Hulme Martin machines are manufactured in the UK to a high industrial quality.

Stand Kit, Shelving etc, sold separately

**IMPULSE • CONSTANT HEAT SEALERS • VACUUM SEALERS • SHRINK CHAMBERS
SACK SEALERS • BESPOKE SOLUTIONS • SEMI-AUTOMATIC MACHINES • SECURITY SEALERS**
Registered office: Unit 5B Country Business Centre, White Cottage Farm, Lucas Green Road, West End, Woking, Surrey, GU24 9LZ
Registered in England No. 5484051 VAT No. GB 864 4792 82